

Southern Metal & Plastic Products

STOP-Tite

Mastic Waterstop for Concrete Construction



STOP-Tite is a high quality, single-component, self-sealing mastic waterstop which prevents moisture from penetrating joints in concrete.

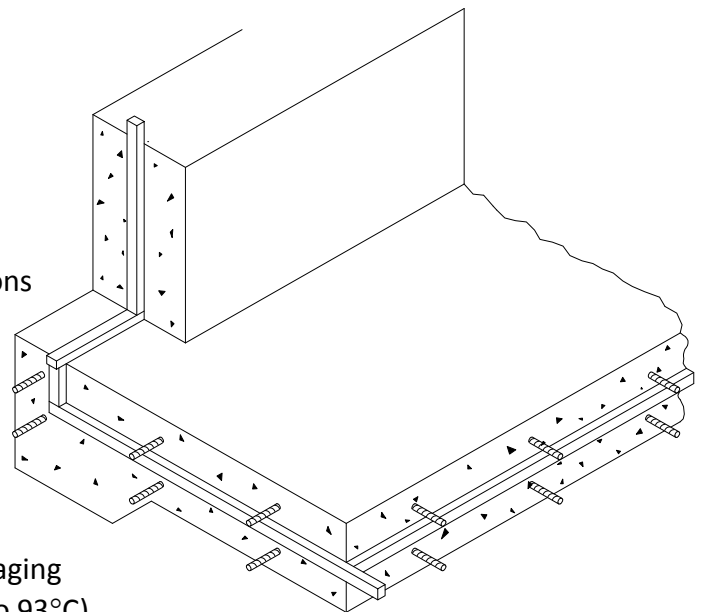
STOP-Tite is intended for use in only non-moving joints.

STOP-Tite's ease of installation makes it the ideal choice for a variety of applications, including:

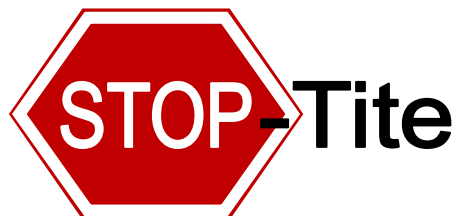
- Concrete Vaults
- Utility Vaults
- Septic Tanks
- Burial Vaults
- Retaining Walls
- Tunnels
- Storage Tanks
- Box Culverts
- Pipe
- Slabs-on-grade
- Foundations
- Cast-in-place applications

THE STOP-TITE ADVANTAGE

- Provides permanently flexible watertight joints
- Quick and easy to install
- Excellent adhesion to clean, dry surfaces
- Sealed joints will not shrink, harden or oxidize upon aging
- Rugged service temperature: -30°F to 200°F (-34°C to 93°C)



Size: 3/4" X 1" X 16'8"
6 rolls or 100 ft. per carton.



Physical Properties and Installation

Property	Test Method	Required Limits	Typical Values
Specific Gravity	ASTM D 71	1.3 min. 1.5 max.	1.41
Ductility	ASTM D 113	5 cm min.	5.25
Softening Point	ASTM D 36	320° F min.	350° F+
Flash Point	ASTM D 92	600° F min.	610° F
Fire Point	ASTM D 92	625° F min.	630° F
Penetration	ASTM D 217	50 to 120	55
Sag	SS-S-210, 4.5.3	None	None
Ash Inert Materials	ASTM D 482	30 - 50%	37%
Volatile Material	ASTM D 6	2.0% max.	0.5%
Chemical Resistance			
- KOH 5%			
- HCL 5%			
- H ₂ SO ₄ 5%	SS-S-210, 3.6	No visible deterioration	None
- NaOH 5%			
- H ₂ S Saturated Solution			

INSTALLATION INSTRUCTIONS

1. Brush and remove loose dirt and particles from surface.
2. Brush one coat of *Stop-Tite Primer Adhesive on to the clean concrete surface.
3. Allow primer to cure (per directions on can).
4. Press Stop-Tite firmly onto the primed surface.
5. Overlap ends (1" minimum), and join with a kneading action, press ends together until there is no separation or air pockets.
6. Remove separation paper.
7. Joint is prepared for second pour.

*Stop-Tite Primer Adhesive is available in one gallon cans.



SOUTHERN
METAL & PLASTIC PRODUCTS