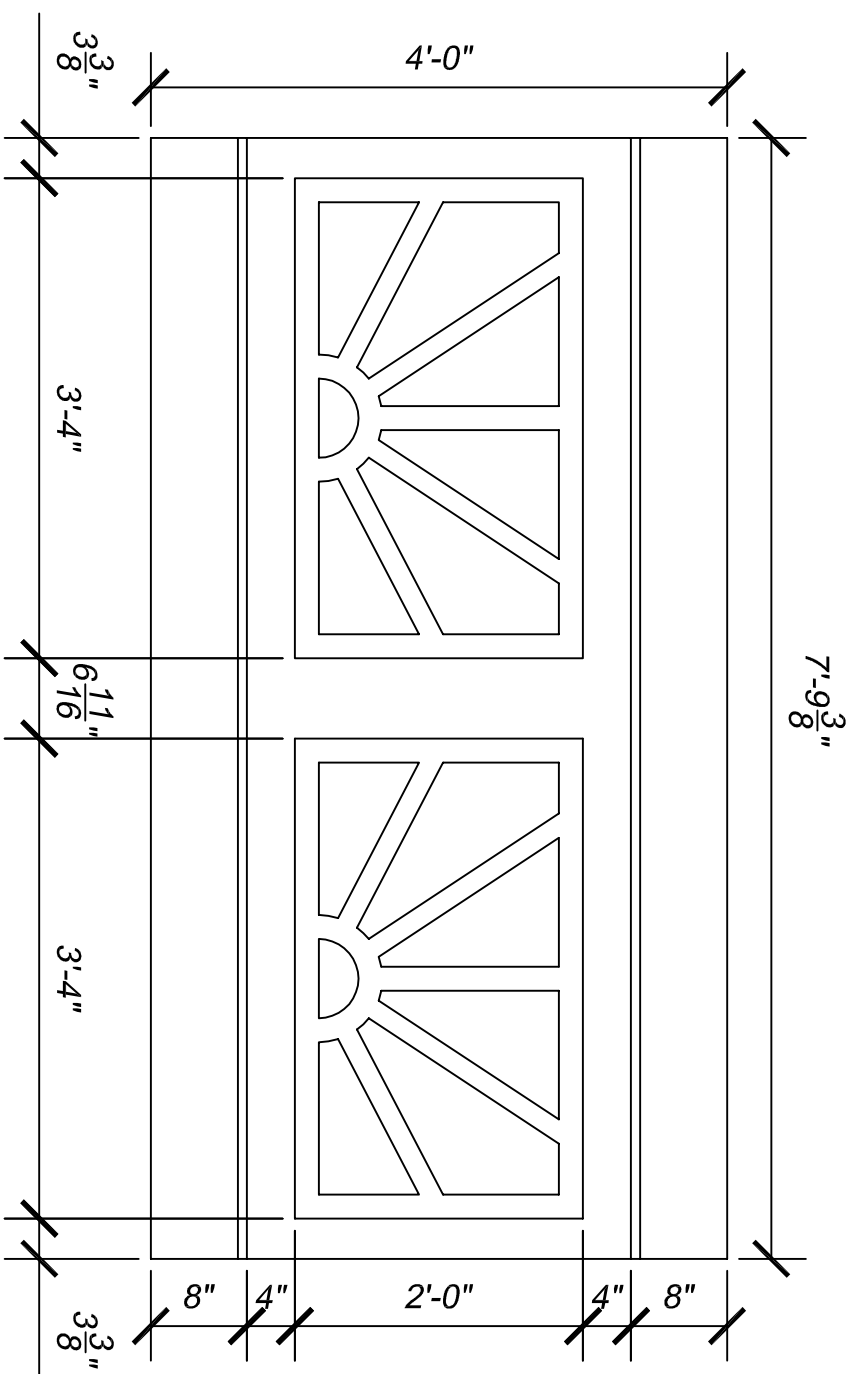
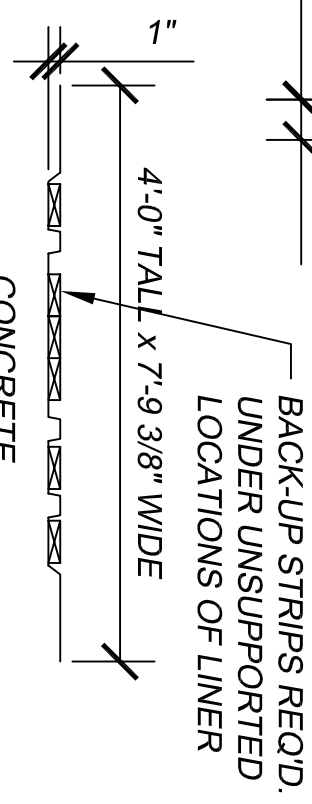


- SINGLE USE
- MEDIUM USE
- HIGH USE



ELEVATION VIEW
SCALE: 3/4" = 1'-0"



SECTION VIEW
SCALE: 3/4" = 1'-0"

REV. MARK	REVISION	BY	CHK	APP	DATE	DESIGNED:	DATE:
						DRAWN:	PART NUMBER:
						CHECKED:	QUANTITY REQUIRED:
						APPROVED:	SCALE:
						MFG. REP.:	DWG. REF. NO.:
						SHEET NUMBER:	SOM358

Southern Metal & Plastic Products	
3400 TREE CRT. IND. BLVD., ST. LOUIS, MO 63122-6889	
PH: 800-325-3597 FX: 636-825-6567	
WEBSITE: WWW.SOMETALS.COM	
TITLE: #S358 FLORIDA GRILLE	
REV	